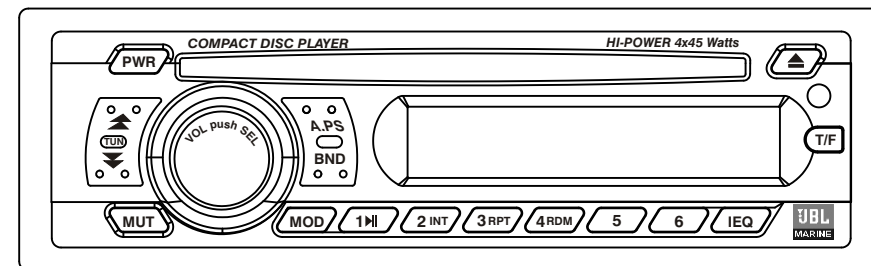




Operation Manual

Model No.: MR-140



!!!!!!! ATTENTION !!!!!!!

RESET BY PUSHING MODE AND BAND
TO ENSURE PROPER OPERATION,
SEE INSTRUCTION MANUAL

This product is sold and serviced exclusively by Prospec Electronic Inc. and must be returned to Prospec for in and out of warranty repairs. It can not be serviced under warranty by other JBL service centers. All products sold and serviced exclusively by Prospec Electronics Inc.
For service contact us: 3325 South Morgans Point Road Mount Pleasant SC 29466
Tel 843-849-9037 Fax 843-849-9054

Effected 31 / May / 07

Trouble shooting guide

INTERFERENCE ON RADIO

- Poor atmospheric conditions - Try again later in the day.
- Antenna / lead broken or damaged.

DISTORTED AUDIO

- Check loudspeaker wiring.
This product contains a biamp. It is important not to connect the front loudspeaker ground to the rear speaker ground.
- Faulty loudspeaker.
- Distortion at highest volume levels may be normal, as amplifier has reached maximum power output. Otherwise the power and ground wire's gauge might be too small (use 10amp cable or more).
- Reduce the bass effect or switch off the loudness mode.
- Boat battery and or charging circuit may be faulty.

Specifications

<i>FM TUNER</i>	<i>AM TUNER</i>
Tuning Range : 87.5~107.9MHz(USA) 87.5~108MHz (EUR) Sensitivity : 10dB / uV Separation : 30dB	Tuning Range : 530~1710KHz (USA) 522~1620KHz (EUR) Sensitivity : 35dB / uV
<i>COMPACT DISC</i>	<i>AUDIO AMP & GENERAL</i>
Freq. Response : 20 Hz-20 KHz Total Harmonic Distortion : 0.8% Signal - Noise Ratio : 65 dB Dynamic Range : 90 dB	Power Output : 4 x 45 watts Power Supply : DC + 12V Negative Ground Speaker Impedance: 4 ohm

Precautions and Maintenance

1. Reset Function

A microprocessor reset function has been provided to facilitate manual resetting of the internal microprocessor. In the unlikely event that the player fails to operate correctly refer to step 3 below.

Note: It will be necessary to re-enter the radio preset memories as these will have been erased when the microprocessor was reset. After resetting the player, ensure all functions are operation correctly.

2. General Precautions

If the unit has become extremely hot we strongly recommend that you allow it to cool down before using. Take care of your Cd's to preserve the quality of the recordings. Do not allow CDs to be exposed to direct sunlight. Store them in a place protected from dirt and dust and avoid handling them with oily, greasy or wet hands. Be sure the CD is put into the CD slot label side up.

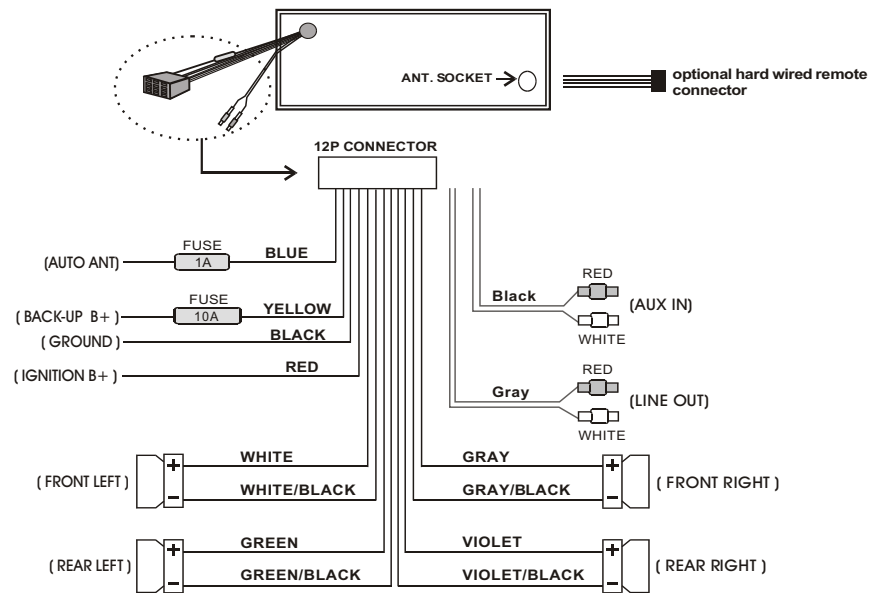
3. Caution

RESET: If you are faced with a malfunction during the operation, press and hold MODE and BAND button simultaneously for about 3 seconds to reset the unit.

Contents

Wiring Identification	2
Important Notes	3
Installation	4
Supporting the Unit	5
Identification of Control Functions	6
Controls	7
Operating the Radio	8-10
Operating the CD Player	11
Precautions and Maintenance	12
Trouble Shooting Guide & Specifications	13

Wiring Identification



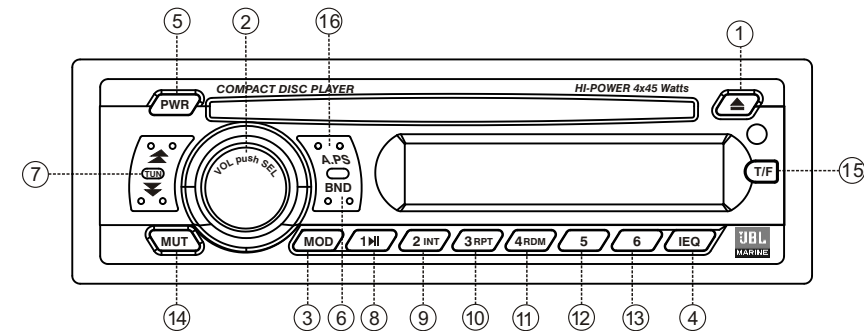
■ Installation Notes

(Applicable to both 2 and 4 speaker connection)

This radio contains four separate power amplifiers. To prevent possible damage to these amplifiers please ensure the following:

- The boat chassis is not used as a loudspeaker ground(-).
- Front and rear loudspeaker connecting wires are not joined together.
- Any wires not used when completing a two speaker installation are fully insulated.
- The memory wire (yellow) is connected to a permanent + 12V supply.
- The power wire (red) is connected via the ignition switch of the boat.

Operating the CD Player



1. Select the RADIO / CD / AUX by pressing the **"MODE" button (3)** in sequence.

2. Track tuning (7)

Search the track on the DISC with \uparrow & \downarrow buttons. If you press \uparrow or \downarrow button continuously, the track will fast forward or fast rewind.

3. Play / pause (8)

Push to pause and push again to resume play.

4. Intro Scan (9)

Press this button to hear the first 10 seconds of each track on the disc. Press this button again to restore the player to its normal play mode.

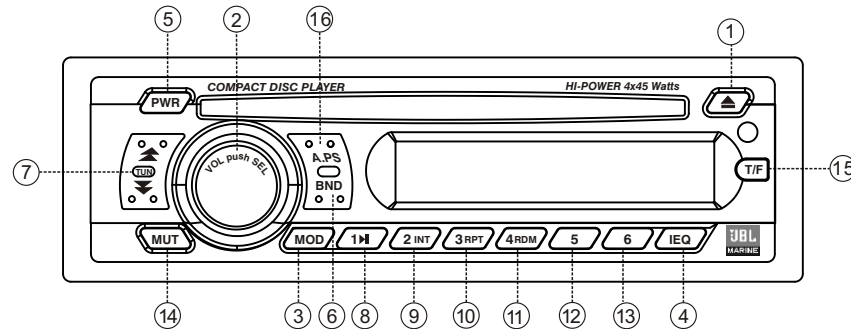
5. Repeat Play button (10)

While playing a desired track, press the RPT button to play the track repeatedly. Press the RPT button again to return to normal play mode.

6. Random play button (11)

Press the RDM button to play all tracks on a CD in random sequence. Press the RDM button again to return the player to normal mode.

Operating the Radio



1. Press the **BND button (6)** to select the desired band FM1, FM2, FM3, AM1 or AM2.

2. **Manual / Seek tuning buttons (7)** : Press this button quickly to activate the Seek mode. The Seek mode will automatically seek up or down the wave band and stop at the next station of sufficient signal strength. Press this button (7) for longer than 2 seconds to advance the tuning up or down the wave band.

3. **Manual station store:** Select the desired band and tune to a radio station to be memorized. Choose the preset button memory location 1-6 into which the station is to be stored and press and hold that preset button for 2 seconds. The station will now be entered into the preset memory. 6 stations can be memorized on each of the FM1, FM2, FM3, AM1 & AM2.

4. A.P.S - Auto store function. (16)

Depress and hold button (16) for approximately 2 seconds until you hear a signal which confirms the memory function is complete and the display shows "SEARCH". Automatically six strong stations are stored on the station buttons 1 - 6. You can override the preset station on any button by manually setting a new frequency. Press the A.P.S button quickly to hear 10 seconds of all stored presets. Quickly press it again to cancel.

5. Presets

Press the preset buttons 1-6 to find the memorized radio stations.

6. Stereo - / mono - reception

The unit is prepared for stereo reception as soon as it is turned on. If you now receive an FM-station which airs a stereo broadcast in the course of its program, the corresponding indication appears on the display.

Important notes

Prior to the final installation, carry out a sound check. If high distortion or intermittent sound is experienced, it is possible that the wiring from the CD receiver to the boat's electrical system is poor or that the battery needs recharging.

If the battery and its charging circuit are OK, then rewire the red fused wire of the CD player directly to the positive terminal (+) of the boat battery.

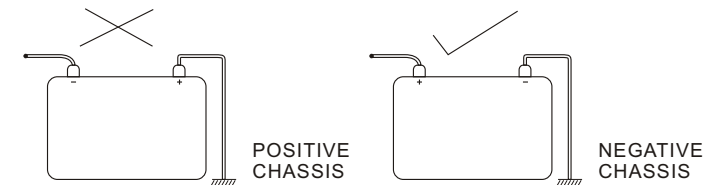
Marine accessory shops stock the connector blocks and the 10 Amp cable which may be necessary for extending the fuse wire connection.

■ Grounding

Make sure that the black wire on the wiring harness is connected to a good ground point on the boat. If the chassis of the boat is used as a grounding point, make sure that the surface is scraped clean from the metal before attaching the wire to it. It is preferable to connect the black ground wire directly to negative terminal (-) of the boat battery.

■ Warning: polarity...

This model is only suitable for use in boats which have a negative ground system, e. g. : the negative terminal of the boat battery is connected to the chassis.



■ Connecting the speakers and power cables

Before you wire your system, disconnect your boat's battery's positive (+) cable. This helps prevent damage in case of a short. When you complete the wiring, reconnect the battery cable and test your marine stereo. When connecting your marine stereo's black ground wire, be sure to connect the wire to a metal part of your boat or preferably to the negative (-) terminal of the boat battery.

Installation

1. Precautions

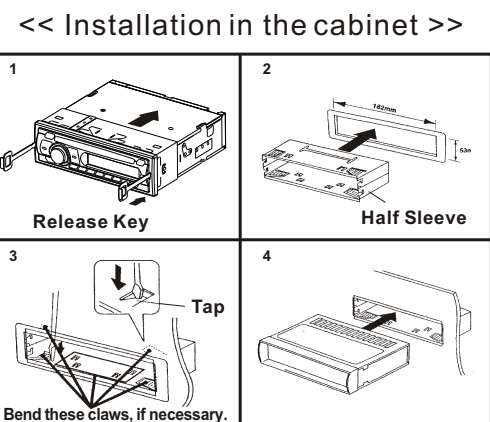
Choose the mounting location carefully so that the unit will not interfere with the normal driving functions of the boat.

Avoid installing the unit where it would be subject to high temperature (such as from direct sunlight or hot air) or where it would be subject to dust, dirt or excessive vibration. Use only the supplied mounting hardware for a safe and secure installation.

2. Mounting angle adjustment

Adjust the mounting angle to less than 20 degrees from the horizontal position.

3. Mounting example



【Note】 Keep the release key in a safe place as you may need it in future to remove the unit from the boat.

Controls (continued)

6. IEQ button(4)

The IEQ feature creates a realistic atmosphere for the style of music you select using the latest digital sound technology.

Pressing this key repeatedly allows you to select from the following features :

- "FLAT" display - normal operation mode
- "CLASSICS" display - for the dramatic depth of classical music in an auditorium
- "POP" display - for the electric excitement of stadium pop
- "ROCK" display - for the subtle extension of the music's dimensions
- "DSP OFF" display - cancel the sound feature

7. TIME/FREQUENCY (T/F) button (15)

- 1) After your unit has been installed in the boat, turn power on. The radio frequency will appear on the display.
- 2) Press T/F button once to display time mode.
Press T/F button once again (within 5 seconds) and hold until the displayed time begins to blink.
- 3) Turn the spindle knob counter clockwise to set the minutes.
- 4) Turn the spindle knob clockwise to set the hour.
- 5) Once the adjustment is completed, press T/F button. The displayed time will stop blinking and within 5 seconds will revert to radio frequency.

8. MUTE button (14)

Press MUTE button(14) to mute sound. Press again to restore volume to original setting.

Controls

b. I-Vol

By pressing the select button again, the unit will be in the I-VOL mode. (Initial Volume Level Adjustment). You can adjust the I-Vol by turning the spindle knob. After powering the unit off and on again, the initial volume will match the I-VOL setting.

c. Area Selection

By pressing SEL button again, the unit will be in Area Selection mode. Use the spindle knob to choose USA or EUR (Europe). Press and hold the BAND button for 1-2 seconds to set the format.

3. Volume control

Turn the spindle knob (2) left or right to decrease or increase the volume level. Switching on your radio automatically allows you to set the volume level without having to select it first. Simply turn the spindle knob to set the desired level.

- Bass control

Turn left to lower the bass.
Turn right to increase the bass.

- Treble control

Turn left to lower the treble.
Turn right to increase the treble.

- Balance control

Turn left to decrease the right speaker volume.
Turn right to increase the left speaker volume.

- Fader control

Turn left to decrease the volume level of any loud speakers connected to the front channel.
Turn right to decrease the volume level of any loud speakers connected to the rear channel.

4. "MODE" Button(3)

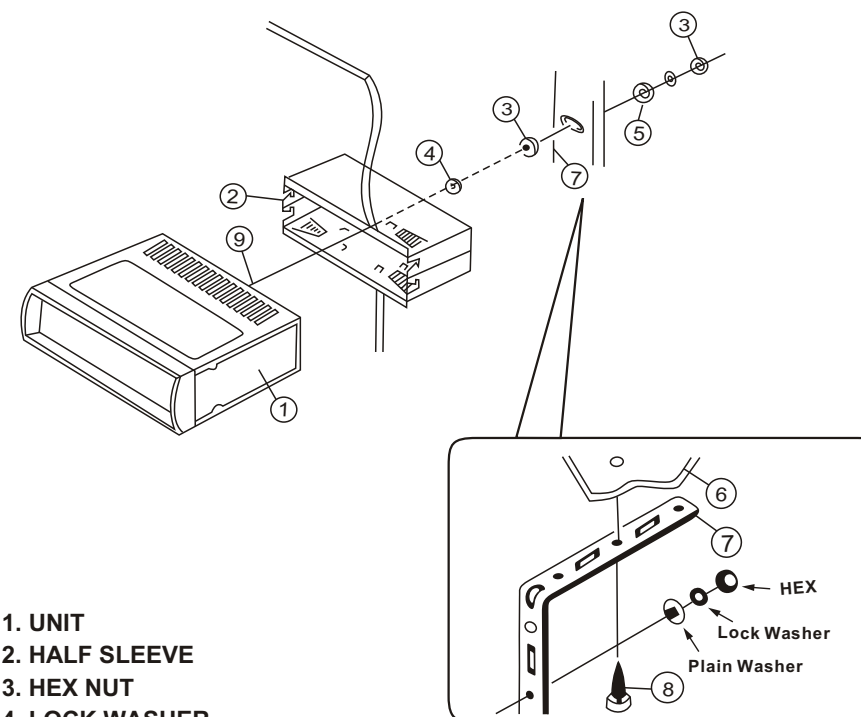
Press this button to select radio, CD and AUX.

5. Band function(6)

This button works 2 functions.

- Shortly press the BAND button to select the desired band FM1,FM2,FM3,AM1,AM2.
- In order to emphasize the bass and the treble at low volume, press and hold the BAND button for about 3 seconds. The display "LOUD" is indicated on the display.
To cancel loudness function, press and hold BAND again.

Supporting the unit



- UNIT
- HALF SLEEVE
- HEX NUT
- LOCK WASHER
- PLAIN WASHER
- BODY
- REAR SUPPORT STRAP
- TAPPING SCREW
- M5 X 20 HEX BOLT

■ Accessories subject to change without notice.

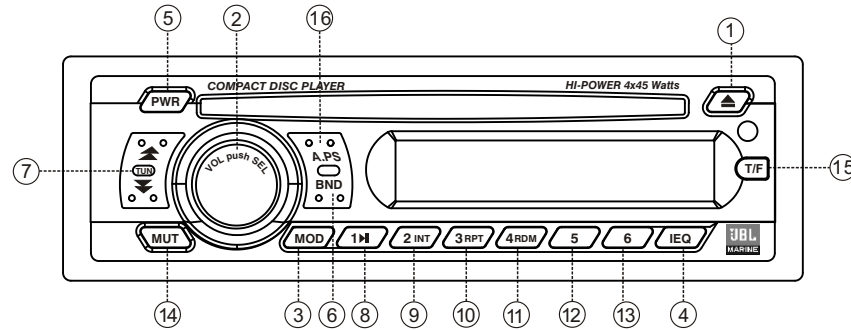
1. Fuse replacement

If the fuse blows, check the power connection and replace the fuse. If the fuse blows again after the replacement, there may be an internal malfunction. In this case, consult your nearest dealer.

2. Warning

Use the specified amperage fuse for each lead.
Use of a higher amperage fuse may cause serious damage.

Controls



1. POWER ON/OFF button (5)

Push the button (5) to turn on the unit. Push the button again to turn off the unit.

2. SELECT button (2)

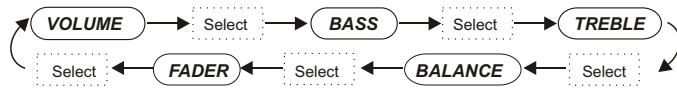
1) Audio control (VOLUME / BASS / TREBLE / BALANCE / FADER)

Press the select button quickly to select the following features;

- "VOL" display - volume control > press key (2)>
- "BAS" display - bass tone control >press key (2)>
- "TRB" display - treble tone control > press key (2)>
- "BAL" display - balance control > press key (2)>
- "FAD" display - fader control > press key (2)>

If the key or one of the keys is not pressed within 5 seconds, the radio automatically switches into volume level control mode.

These settings are indicated on the display window.



2) Beep 2nd , I-Vol , Area Selection

When the select button is pressed over 2 seconds, the unit will be operated as below:

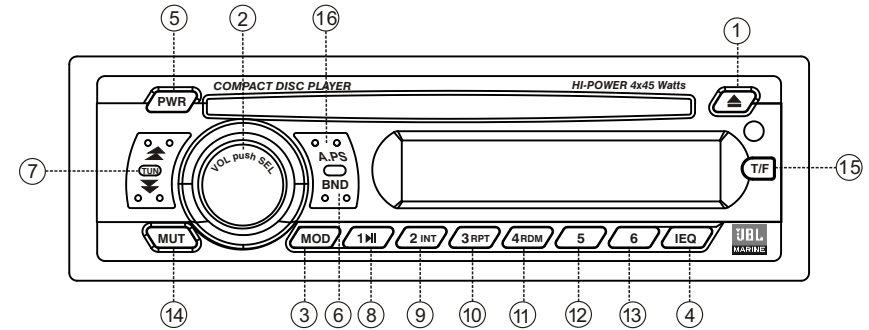


a. Beep 2nd

On the beep 2nd, you can control the beep on or beep 2nd by turning the spindle knob.

- Beep on : You can hear "beep" sound when you press all buttons.
- Beep 2nd :You can hear "beep" sound when you press the button over 1.5 secs.

Identification of Control Functions



1. CD eject button
2. Electronic function SELECT button, Volume control knob
3. MOD button (Radio → CD → AUX IN)
4. IEQ button (FLAT - CLASSIC - POP - ROCK)
5. POWER ON/OFF button
6. Band button (FM1, FM2, FM3, AM1, AM2) / LOUD button
7. Radio tune UP/DOWN, CD track UP/DOWN
8. CD play / pause, radio preset 1 button
9. CD intro Scan button, radio preset 2 button
10. CD repeat track button, radio preset 3 button
11. CD random play button, radio preset 4 button
12. Radio preset 5 button
13. Radio preset 6 button
14. MUTE button
15. T/F button
16. A.PS - Auto Preset Scan button